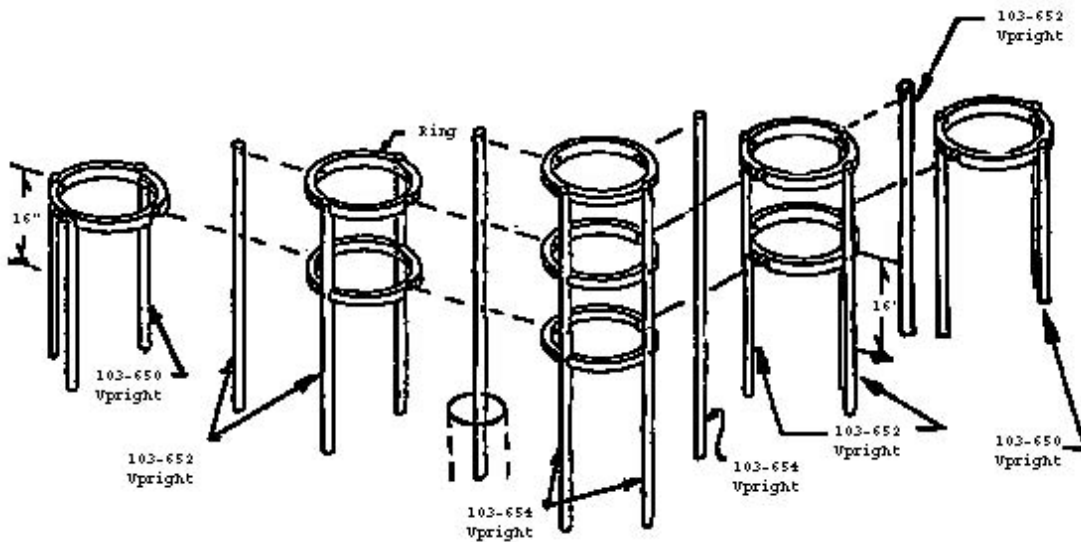


# 301-102 Ring Climber (Perm)

## IMPORTANT

PLEASE READ THESE INSTRUCTIONS BEFORE COMMENCING ASSEMBLY. All equipment must be installed in accordance with these instructions. Check your shipment against Bill of Lading and Parts list. Any missing or broken parts must be reported to your distributor within 10 days of receipt of your order. When properly installed and maintained, equipment will give many years of Safe, Trouble-Free use. Periodically check for loose or broken parts. Loose bolts must be tightened and broken parts must be replaced as they can possibly create dangerous situations leading to unnecessary accidents. Resilient Surfacing should be used under all playground equipment. Appropriate publications, available at no charge, from the Consumer Product Safety Commission, include "A Handbook for Public Playground Safety". You can receive your free copy by calling 1-301-504-7908.



### PACKING LIST

1	CTN		Hardware Bag
		9	103-006 Cast Rings
2	BDL	3	103-650 Uprights
2	BDL	3	103-652 Uprights
1	BDL	4	103-654 Uprights

### HARDWARE BAG

16	105-015	Pipe Plug
6	116-556	5/16" x 4" Button Head Bolt
24	116-545	5/16" x 2 1/2" Button Head Bolt
30	326-501	5/16" Lock Washer
30	216-512	5/16" Button Head Nut
2	416-350	3/16" Socket Key
1	805-532	Warning Label
1	805-534	SportsPlay Label
1		Maintenance Checklist

1 CTN	5 BDL	6 TOTAL PCS	97 # Weight	Class 70
-------	-------	-------------	-------------	----------

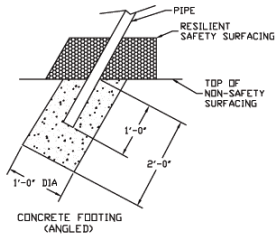
# 301-102 Ring Climber (Perm)

## GENERAL USE/FALL ZONE & FOOTING RECOMMENDATIONS

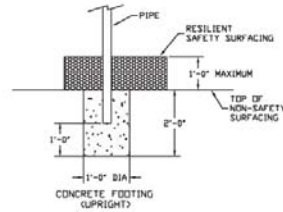
Stationary & Portable equipment - Use/Fall zones should extend a minimum of 6 feet in all directions from the perimeter of the equipment ground space.

Surfacing Material. For some equipment - Use/Fall zones can overlap. See Consumer Product Safety Commission Guidelines. Diameter and depth of footings illustrated are satisfactory in most applications for pipe sizes up to 2 3/8" diameter. Varying soil & climatic conditions may require deeper and heavier footings in some areas. Check local building codes.

DETAIL-Permanent Installation  
Angled:

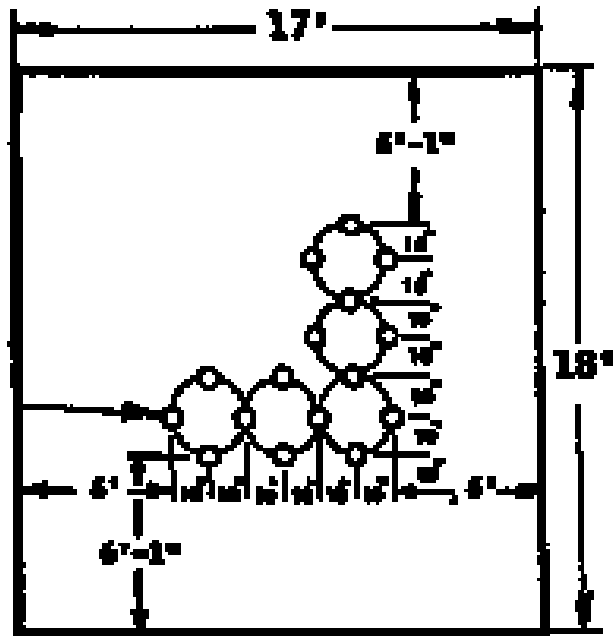


DETAIL-Permanent Installation  
Upright:



IF RESILIENT SURFACING IS TO BE LESS THAN 12", THEN ADDITIONAL PIPE SHOULD BE PUT IN CONCRETE TO MAINTAIN PROPER FINISH GRADE FOR EQUIPMENT.

## USE AREA AND FOOTING LAYOUT:



## 301-102 Ring Climber (Perm)

Page 3 of 3  
Rev. 05/08/03

### GENERAL MAINTENANCE INSTRUCTIONS:

Check MONTHLY for loose bolts, damaged or broken parts. Tighten and/or replace immediately.

### ASSEMBLY AND INSTALLATION:

**NOTE:** All threaded ends of bolts protruding beyond nuts must be cut off and/or peened to eliminate sharp edges. No more than two threads should extend beyond face of nut. All washers, "T" nuts, and other fastener hardware used on round pipe or tubing must be hammered down to conform to the curved underlying surface to eliminate catch points. DO NOT tighten nuts more than hand-tight until entire assembly is completed.

- STEP #1: Assemble 3-Ring tower first. Cast aluminum rings have mold ejection marks on BOTTOM side. Assemble on side - rolling over until all four posts are attached. Temporarily use longer bolts where indicated until ready to attach other towers. Set Assembly upright. See Illustration #1.
- STEP #2: Assemble other towers in same manner, attaching to 3-Ring tower as indicated. See Illustration #2.
- STEP #3: Drive in Pipe Plugs (105-015) in top of pipe posts. File off any metal shavings that result from wedging plugs into posts.
- STEP #4: Mark & dig footing holes. Brace unit in holes to proper depth. Length of pipe below playing surface should be 24" with depth of pipe in concrete varying depending on depth of resilient surfacing to be used. Plumb & level. Tighten all nuts & bolts so that lock washers are flat. Pour concrete. Wait 48 hours before removing braces & using equipment.

ILLUSTRATION 1

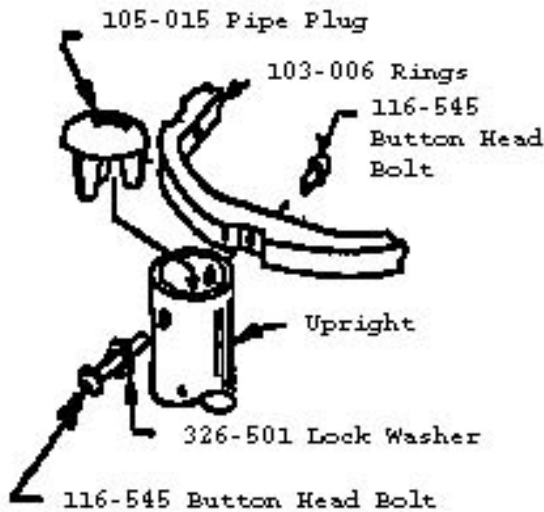


ILLUSTRATION 2

